

ASSEMBLING INSTRUCTION

KIT

X1. LICENSE PLATE KIT
X1. THICKNESS 6MM

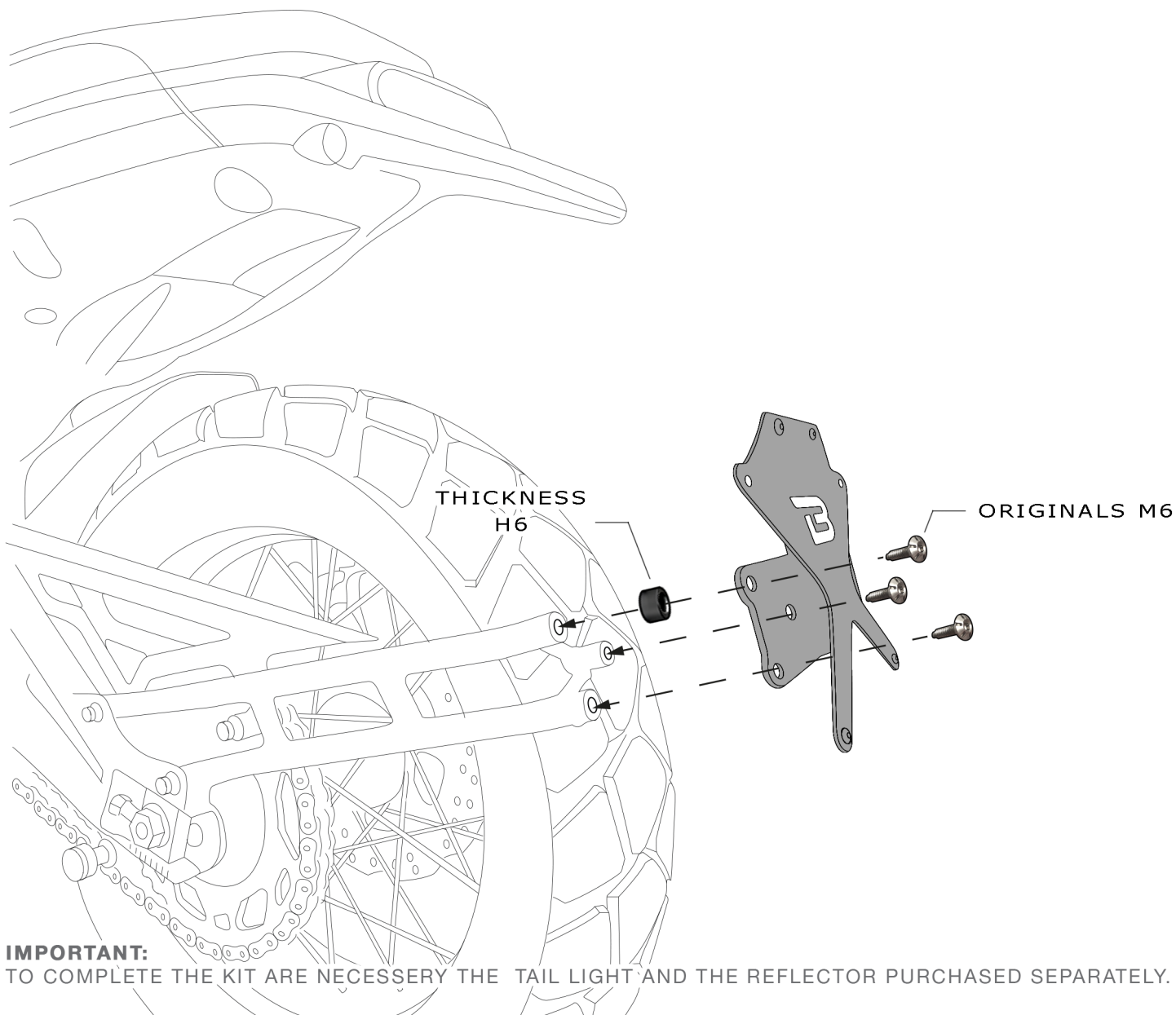
LICENSE PLATE HOLDER KIT BENELLI LEONCINO

BL5104-SN

WWW.BARRACUDAMOTO.COM

ASSEMBLING PROCEDURE:

1. REMOVE THE ORIGINAL LICENSE PLATE HOLDER.
2. MOUNT THE SPECIFIC LICENSE PLATE HOLDER, USING THE ORIGINAL M6X18 AND WITH THE SPECIFIC THICKNESS, AS ILLUSTRATED.
3. TIGHTEN EVERYTHING.



IMPORTANT:
TO COMPLETE THE KIT ARE NECESSARY THE TAIL LIGHT AND THE REFLECTOR PURCHASED SEPARATELY.