

MOUNTING PROCEDURE

KIT WINDSHIELD SPORT SUZUKI V-STROM '11 - '12

ST6300-11-R

WWW.BARRACUDAMOTO.COM

KIT

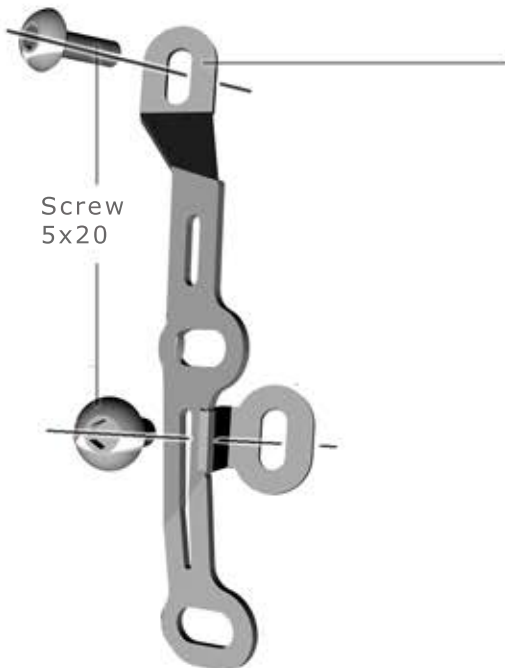
- X1. BARRACUDA WINDSHIELD/SCREEN
- X1. SPECIFIC BRACKET (PAIR)
- X4. SCREW 5X20
- X4. SCREW 5X12
- X4. SPECIAL BUSH
- X4. RUBBER WASHER
- X4. TEFLON WASHER DIAMETER 5



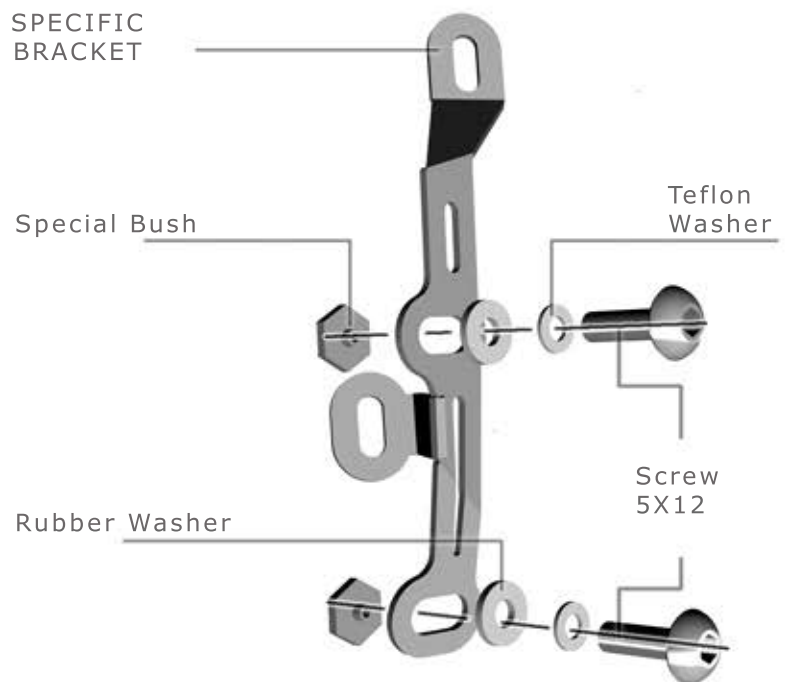
REMOVE THE 4 SCREWS, ALL THE WASHERS AND RUBBER THICKNESS ON THE WINDSHIELD/SCREEN.



FIX ON THE BIKE



FIX ON THE WINDSHIELD



REMOVE THE 4 SCREWS, ALL THE WASHERS AND RUBBER THICKNESS ON THE WINDSHIELD/SCREEN. INSTALL THE SPECIFIC BRACKET USING THE HOLES ON THE BRACKET TO HIT THE CENTER ON THE MOTORBIKE. USE THE SPECIAL BUSH FOR FIX THE WINDSHIELD/SCREEN TO THE BRACKET USING THE RUBBER WASHERS TO PUT BETWEEN THE BRACKET AND THE WINDSHIELD/SCREEN. USE THE TEFLON WASHERS BETWEEN THE HEAD OF SCREW AND THE WINDSHIELD/SCREEN; INSTALL ALL THE 4 SCREWS, USE THE APPROPRIATE HOLES TO HIT THE CENTER THE WINDSHIELD/SCREEN AND LOCK. FOLLOW THE INSTRUCTION DESCRIBED UP.